

The Leaders in Portable X-Ray Systems

Products Overview

EOD & Special Forces





About NOVO DR



NOVO DR Ltd. offers innovative, rugged, and reliable Portable Digital Radiography systems.

Designed and engineered in-house by our highly skilled, professional and experienced team, our products provide superb image quality, are intuitive and easy to use.

Why NOVO?



High Image Quality

Decades of expertise, detectors built specifically for security applications and advanced software, all attribute to the highest image quality.



Reliable

Our systems are designed for outdoor operations! This is why we use the best raw materials; proprietary NOVO cables; MIL-DTL 38999 connectors; rugged Detectors & Wireless Mesh Technology for high signal stability.



Easy to Use

Lightweight Detectors, Intuitive NOVO Touch Software and easy handling of our system components, the NOVO equipment is effortless to setup & operate.

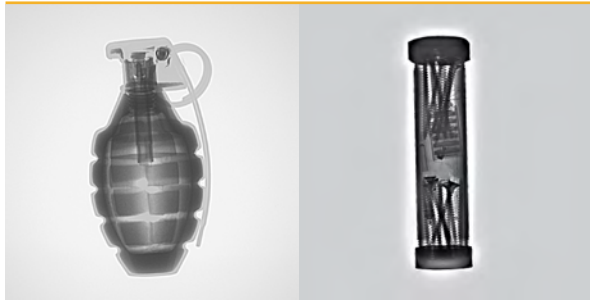


Professional Support

Fast response, the expertise of the team and direct support from our in-house developers, makes your journey with NOVO sure and simple.

Applications

EOD / IED

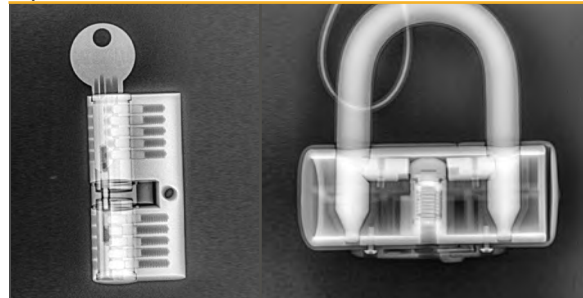


In EOD/IED split seconds decisions are imperative. Immediate high quality digital images are crucial for analysis of the insides of a suspected object or a bomb.

What is inspected?

EOD's, IED's, Explosives etc.

Special Forces

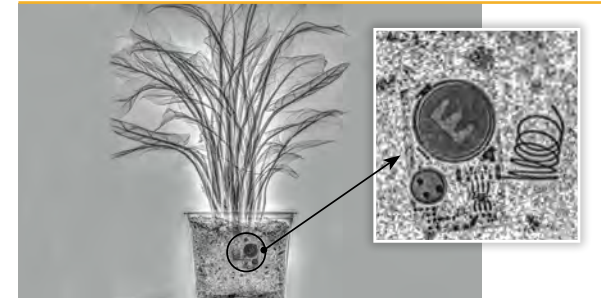


Special Forces require an easy to carry, simple to deploy, portable product. Keeping the systems as light as possible yet rugged and covert is crucial for mission safety and fast operation.

What is inspected?

IED's, EODs, Locks, Cylinder & many more...

Counter Surveillance



Counter Surveillance teams that guard public figures, or embassies, need to examine day to day items, innocent looking gifts or mobile phones in order to detect the slightest alteration in their electronic components. These items may be used as listening devices or might contain explosives.

What is inspected?

Electronic Devices, Furniture, Walls (concrete, drywall)
Entire Hotel Rooms

Border Control

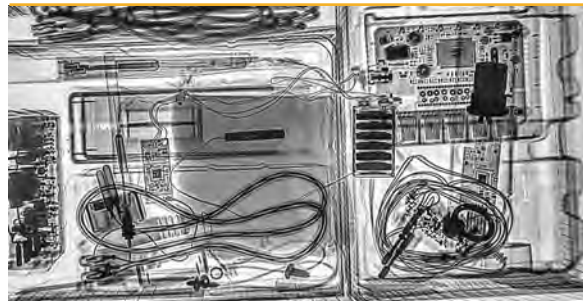


Portable X-Ray systems are the perfect solution for inspecting suspected items across borders and checkpoints. These systems are lightweight and rugged and can be easily transferred and quickly deployed.

What is inspected?

Contraband, Weapons, Drugs, IED & Explosives
Detection etc.

Customs



In customs, check point officials must perform a quick, non-intrusive and non-destructive inspection of suspected vehicles and packages with whom they come across on a daily basis.

What is inspected?

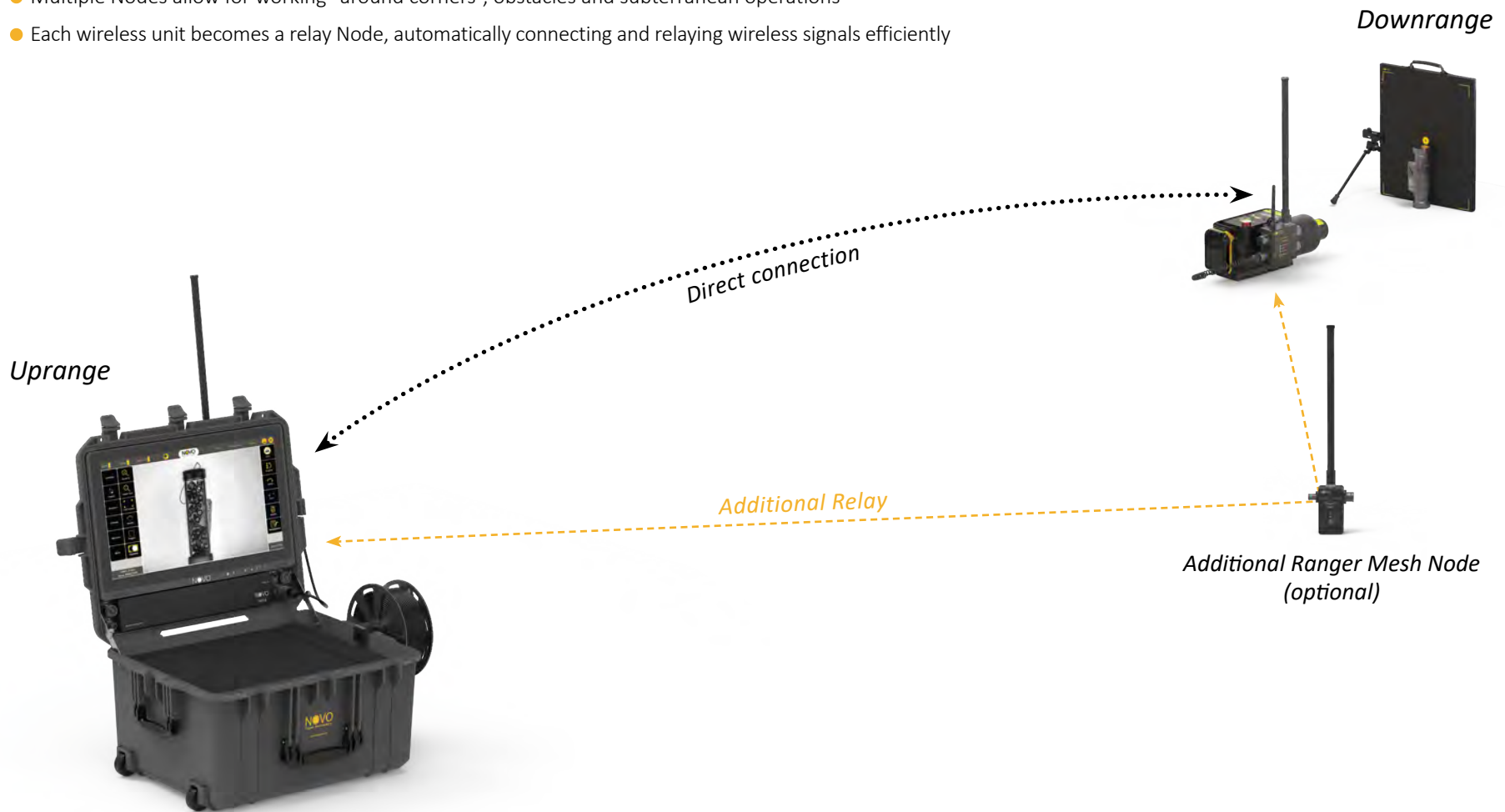
Contraband, Ammunition, Weapons, Drugs, Jewelry,
Alcohol etc.

NOVO Wireless Mesh Technology



Unique technology providing unmatched wireless performance:

- Strong signal stability in crowded RF environments, especially ideal for urban scenarios
- Up to 0.6 miles (1000m) LOS between Nodes, longer range when elevating on tripods - up to 1.8 miles (3km)
- Multiple Nodes allow for working “around corners”, obstacles and subterranean operations
- Each wireless unit becomes a relay Node, automatically connecting and relaying wireless signals efficiently



Systems

NOVO offers a wide variety of systems suitable for various Security applications. These are our most popular systems.

Shadow III

Super Light System -
Ideal for Special Forces

- 12SF Detector - only 2.2 lbs. (1kg) with battery
- Working system - only 8.8 lbs. (4kg)
- Spark Mesh Battery Free Controller - up to 0.31 miles (500m) LOS wireless Comm
- Android mobile phone
- Small day pack



Rover III

Top of the Line System in
a Rugged Pelican Case

- 22WS Detector- only 6.1 lbs. (2.8kg) with battery
- Falcon III Mesh Controller - up to 1.8 miles (3km)* LOS wireless Comm
- 21.5" 1500 NIT battery-operated touch tablet
- 50m cable on a rugged reel
- Compact Pelican light case



*Elevated

Ultimate III

Large Format Deployable Backpack

- 22WS Detector- only 6.1 lbs. (2.8kg) with battery
- Falcon III Mesh Controller - up to 1.8 miles (3km)* LOS wireless Comm
- 10" 1500 NIT touch handheld tablet / Android phone
- 50m of cable on a lightweight reel



Tactical III

Compact Backpack System for Tactical Missions

- 15WS Detector- only 3.5 lbs. (1.6kg) with battery
- Falcon III Mesh Controller - up to 1.8 miles (3km)* LOS wireless Comm
- 10" 1500 NIT touch handheld tablet / Android phone
- 40m of Cable on a lightweight reel



Urban III

Covert, Lightweight Backpack System

- 15WS Detector- only 3.5 lbs. (1.6kg) with battery
- Spark Mesh Controller - up to 0.31 miles (500m) LOS wireless Comm
- 10" 1500 NIT touch handheld tablet / Android phone
- Compact backpack



*Elevated

NOVO Touch Software

For detailed information, please review the NOVO Touch Software brochure



The NOVO Touch Software is a proprietary software developed in-house to provide the best user experience and functionality in harsh & extreme field conditions.



Improved Genie Algorithm - 4 times faster!

Allows for taking a single image and enhancing both easy to penetrate and difficult to penetrate objects on the same image, while showing all elements and highlighting all the threats with just one touch.



3D Measurement & Imaging

The 3D Arc provides precise location and exact measurements (1-2mm accuracy) for IED disruption and manual entry. Extremely fast and easy to use tool building 3D images in seconds, giving unprecedented information.



Stitching Feature

Rapidly stitch multiple images together in seconds either by using Automatic Stitching feature or easy to use Manual Stitching with advanced tools, such as HDR etc.



HDR Feature

Allows for taking a high exposure image to penetrate difficult areas, combined with a low exposure image showing delicate items and producing a hybrid High Dynamic Range X-Ray image.



XTK Software

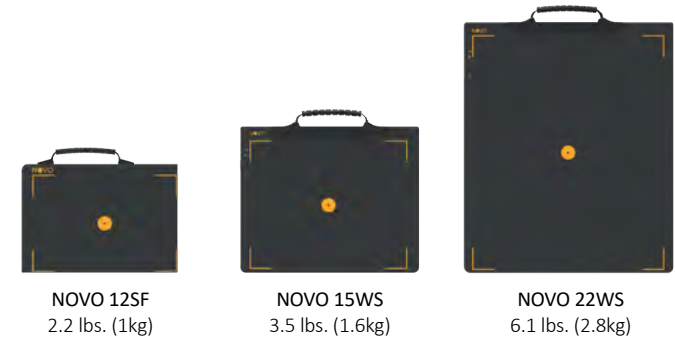
Full Compatibility in Windows & Android

Detectors

For detailed information, please review the systems brochures

The NOVO range of Detectors provide outstanding image quality in a rugged, durable, thin design and are the latest in DR imaging technology.

- Dual direction magnetic connector
- Wireless & wired operation
- Specifically designed for fieldwork & harsh weather conditions
- Quick removable & rechargeable battery



Detector Model	NOVO 12SF	NOVO 15WS	NOVO 22WS
Steel Penetration *	3.5" (90mm)	3.5" (90mm)	3.5" (90mm)
Detector Weight (Including Battery)	2.2 lbs. (1kg)	3.5 lbs. (1.6kg)	6.1 lbs. (2.8kg)
Detector Load Proof	440 lbs (200kg)	660 lbs. (300kg)	660 lbs. (300kg)
Detector Imaging Area	6.75" x 10.1" (17.2cm x 25.8cm)	9.1" x 11.2" (23.1cm x 28.4cm)	13.9" x 16.7" (35.5cm x 42.6cm)
Detector Size	7.7" x 11.1" (19.5cm x 28.2cm)	10.6" x 12.9" (26.9cm x 32.9cm)	15.2" x 18.3" (38.5cm x 46.5cm)
Active Area (Imaging Area / Detector Size)	80% Active Area	74% Active Area	85% Active Area
Detector Drop Test	40" (100cm)	40" (100cm)	40" (100cm)
Detector Thickness	0.6" (15mm)	0.6" (15.6mm)	0.6" (15.6mm)
Bit Depth	16 bit latest generation	16 bit latest generation	16 bit latest generation
Connector	Magnetic Dual Direction Connector	Magnetic Dual Direction Connector	Magnetic Dual Direction Connector

* Tested with Golden XRS-3 at ~10" (25cm)

Controllers



	Spark Mesh Battery Free	Spark III	Falcon III Mesh
Controller Weight	0.9 lbs. (0.4kg)	0.7 lbs. (0.3kg)	2 lbs. (0.9kg)
Battery	6 hours* battery with 4000 pulses	6 hours built-in battery	6 hours built-in battery
Wireless Range	Up to 0.31 miles (500m) Line of Sight	Up to 0.24 miles (400m) Line of Sight	Up to 0.6 miles (1000m) Line of Sight
AC Connection	X	X	Unlimited operation with AC (POE)
Connectors	DeWalt 20V mount	MIL-DTL 38999 connectors	MIL-DTL 38999 connectors
Golden Generators Supported	DeWalt 20V	All	All
Quick Connection to Generator	✓	✓	✓
Weatherproof	✓	✓	✓
LED Indications	✓	✓	✓
Supports Golden On/Off & Battery Status Info	✓	✓	✓
Robots Integration	X	X	Integration module for robots with quick connection

* Tested with Golden XR150

Tablets

For detailed information, please review the Bright Tablets / systems brochures

NOVO offers a variety of tablets that can be operated from our customized case or used handheld.

- Pre-installed with the NOVO Touch Software
- Used to control the system's operation
- One or multiple parallel location control & display
- Ruggedized Tablets- MIL-STD-810G
- Rugged 7" up to a 21.5" Full HD display
- A variety of Laptops Available
- Windows® 10 & Android OS



NOVO Bright S 10" 1500 NIT

NOVO Bright L 17" 1500 NIT

NOVO Bright XL 21.5" 1500 NIT

Samsung Galaxy S

Panasonic Toughpad™ FZ-G2- 10"

Panasonic Toughbook® CF-33- 12"

Ranger III Mesh

The NOVO Ranger III Mesh is a wireless transceiver which enables increased wireless stability, speed & range between the tablet and the inspection area.

The Ranger III Mesh can also be used as a relay node or as a Wireless Detector unit when stronger Detector communication is needed.



Cases

NOVO offers a wide array of customized cases for a range of applications.

- Customized internal & external design
- Rugged
- Small foot print
- Lightweight



Extension Cables

The communication cable provides reliable and fast data transmission between the various system parts.



Detector Stand

The Detector Stand is a custom-made accessory that firmly holds the Detector in an upright position (portrait or landscape).

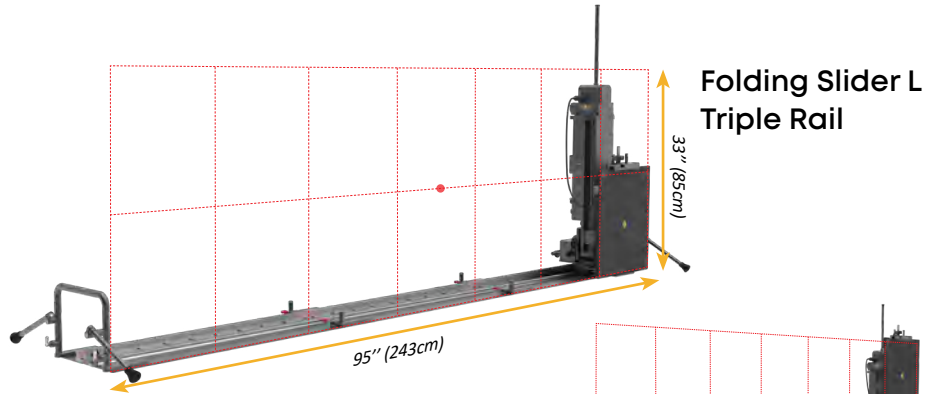


Accessories

NOVO Slider L/XXL

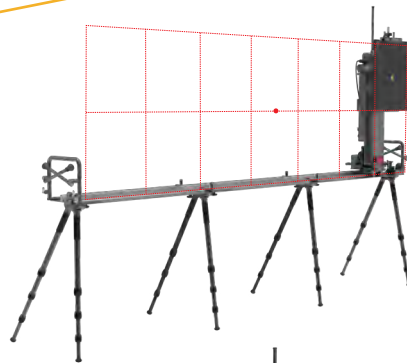
For detailed information, please review the Sliders brochure

The Ideal solution for screening Large & XXL objects.



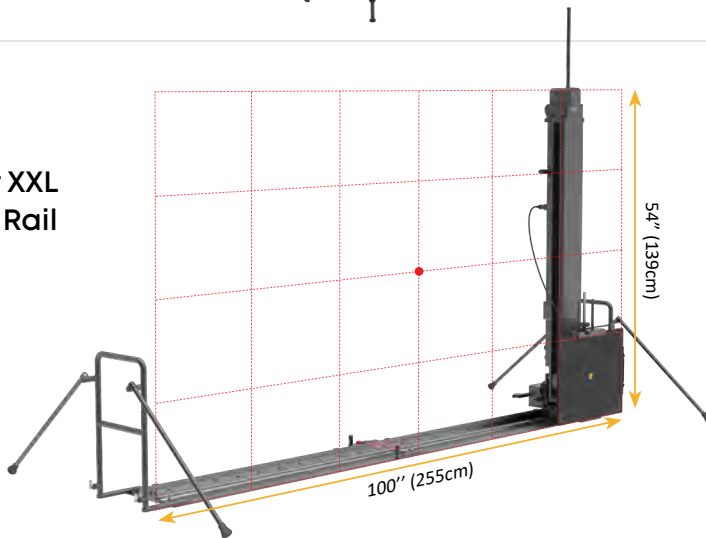
Folding Slider L Triple Rail

Elevated Mode
Maximum Height- 65" (165cm)!



NOVO Mesh Systems

Folding Slider XXL Dual Rail



3D Arc Mesh/3D Arc Lite

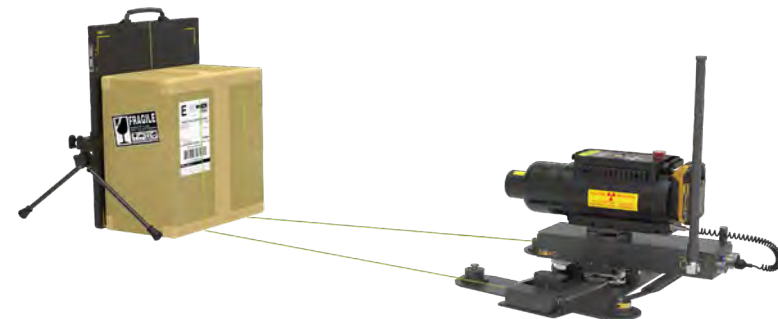
For detailed information, please review the 3D Arc brochure

The 3D Arc provides precise location & exact measurements for IED disruption & manual entry. Extremely easy to use touch interface, provides accurate X, Y, Z measurements and 3D imaging in seconds.



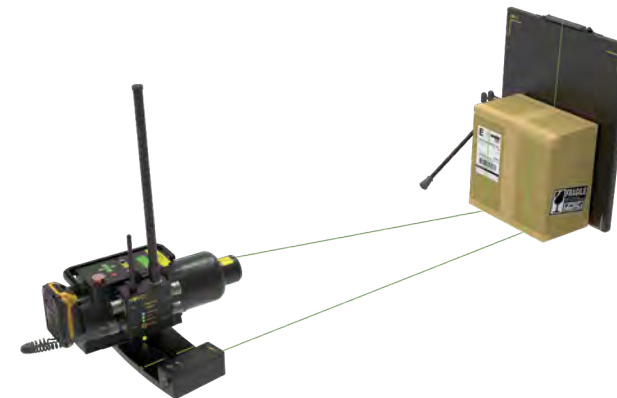
3D Arc Mesh

Single approach & automated movement with AC / battery operation



3D Arc Lite

Manual operation in a super small & lightweight package for maximum mobility



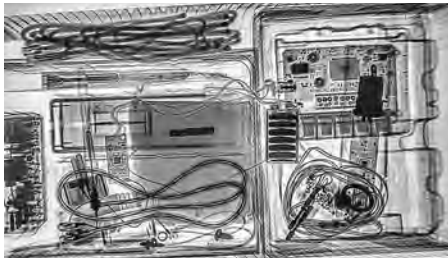
Accessories

For detailed information, please review the Accessories brochure

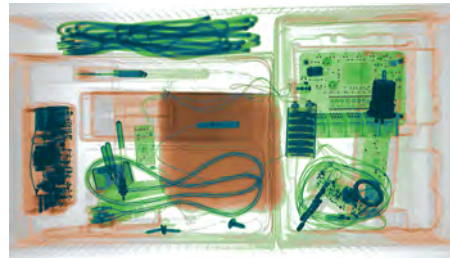
Lookout

The NOVO Lookout is a Lightweight, 3 in 1 accessory enabling the following capabilities: Organic Detection, Live Video & Live Audio.

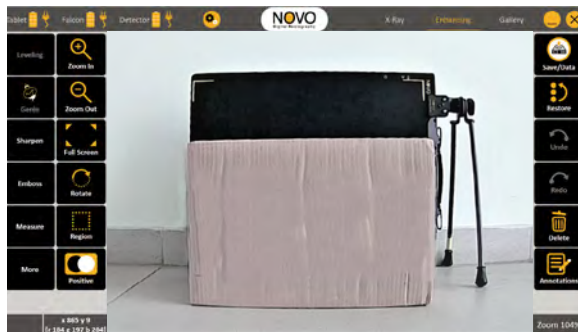
- LED lights
- Infrared light



X-Ray Image



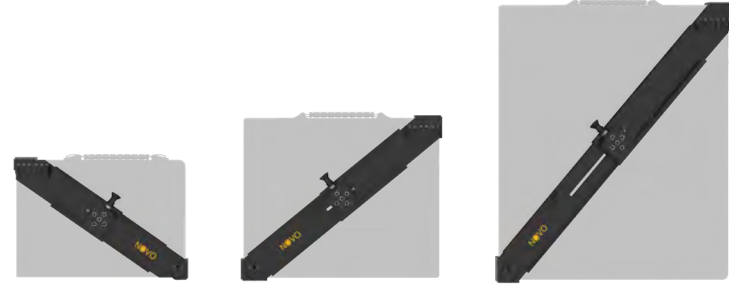
Organic & Inorganic Detection Image



External Still Image

Diagonal Tripod Mounts

The Diagonal Tripod Mount is a lightweight accessory that firmly holds the Detector and provides various positioning options.



Armor Kit

The Armor Kit Contains the NOVO Armor, which provides additional mechanical protection to the NOVO Detectors, Armor Stand and a traveling soft cover.



Soft Protective Cover

The Detector Soft Protective Cover provides additional lightweight protection for NOVO Detectors.



Robot Accessories

For detailed information, please review the Robot Accessories brochure

NOVO offers various Robot detector holders for the 12SF, the 15WS and the 22WS Detectors.

- Lightweight, shock absorbent, customized robot NOVO Detector Frame
- The NOVO Detectors can be used in both portrait and landscape orientation when using the robot accessories

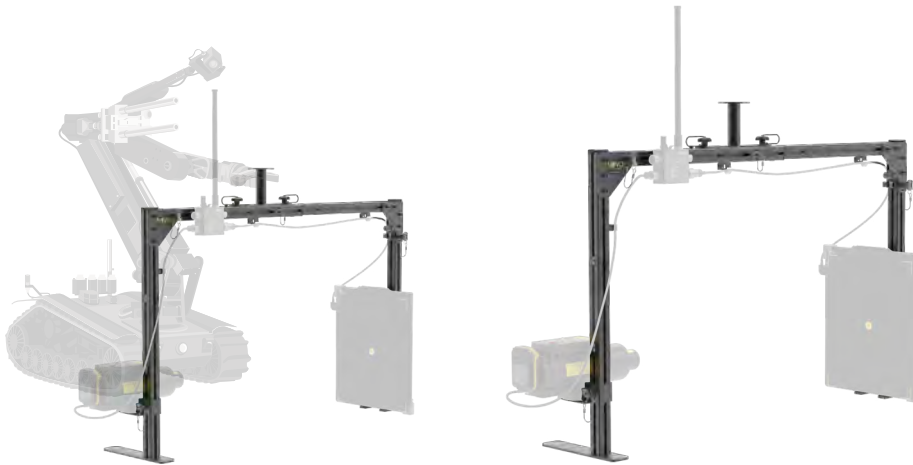
Robot Integration:

The NOVO Equipment can be integrated with many EOD robots platforms

NOVO Detector Frame



C-Arm Detector and X-Ray Holder



X-Ray Generators

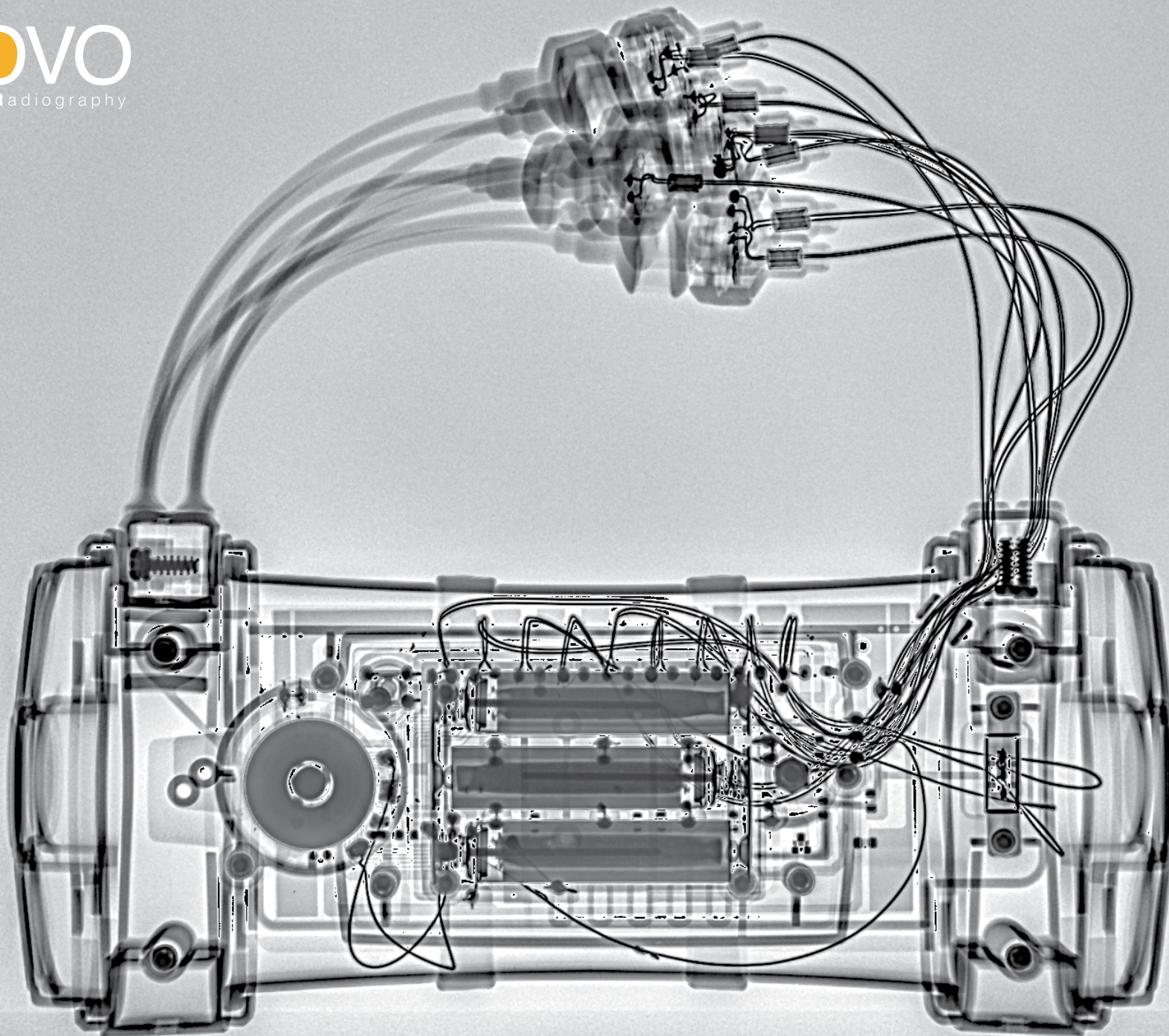
For detailed information, please review the systems brochures

The NOVO systems are designed to operate with the entire range of Golden Engineering X-Ray Generators (both old and new generations) and other X-Ray Generators.

- Specially designed connector/picatinny connects the Golden Generator to the NOVO system controllers
- Operational safety distance is easily obtained with wired or wireless capabilities
- The Golden X-Ray Generators are portable, battery operated, lightweight & contain no radioactive materials
- Software supports Golden On/Off & battery status info
- Support operation with other X-Ray Generators (CP, IR-192 etc.)



NOVO
Digital Radiography







www.NOVO-DR.com | info@novo-dr.com

**Technical specifications may change at the discretion of the manufacturer*

NOVO
NOVO
NOVO